



**MODEL** KAWASAKI VERSYS 1000

**YEAR** 2019 -->

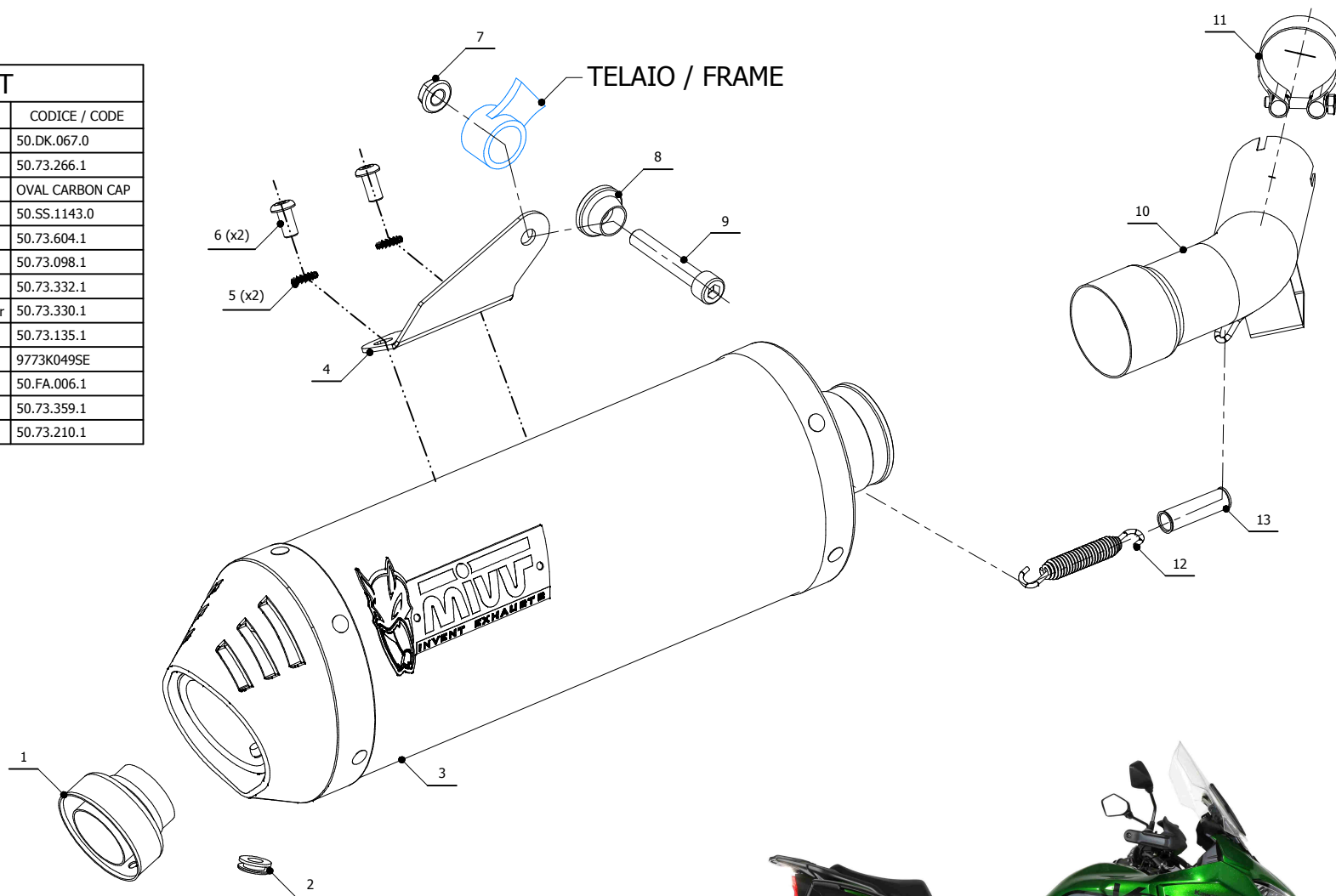
**LINE** SLIP ON

**MUFFLER** OVAL CARBON CAP

**SCHEMATIC**

**ELENCO PARTI / PARTS LIST**

#	QTÀ / QTY	DESCRIZIONE / DESCRIPTION	CODICE / CODE
1	1	DB killer / DB killer	50.DK.067.0
2	1	Tappo in gomma / Rubber stopper	50.73.266.1
3	1	Silenziatore / Muffler L.360	OVAL CARBON CAP
4	1	Staffa / Bracket	50.SS.1143.0
5	2	Rondella di sicurezza / Safety washer	50.73.604.1
6	2	Vite M8 x 16 / Screw M8 x 16	50.73.098.1
7	1	Dado M10 flangiato / Flanged nut M10	50.73.332.1
8	1	Rondella in alluminio nera / Black aluminium washer	50.73.330.1
9	1	Vite M10x60 / Screw M10x60	50.73.135.1
10	1	Tubo di raccordo / Link pipe	9773K049SE
11	1	Fascetta Ø 44/47 mm / Pipe clamp Ø 44/47 mm	50.FA.006.1
12	1	Molla media / Mid-size spring	50.73.359.1
13	1	Tubo in gomma per molla / Rubber pipe for spring	50.73.210.1



**APPLICAZIONI / APPLICATIONS**

CODICE / CODE	SILENZIATORE / MUFFLER	TUBO / PIPE	FASCETTA / CLAMP
K.049.LEC	CARBONIO (COPPA CARBONIO) / CARBON (CARBON CAP)	INOX / ST.STEEL	INOX / ST.STEEL
K.049.LNC	TITANIO (COPPA CARBONIO) / TITANIUM (CARBON CAP)	INOX / ST.STEEL	INOX / ST.STEEL