



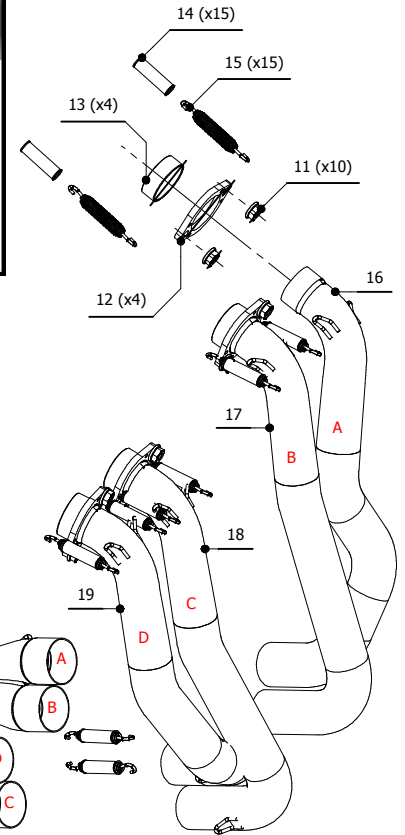
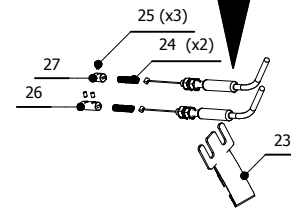
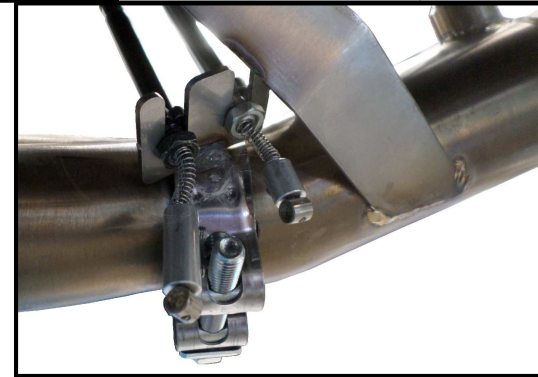
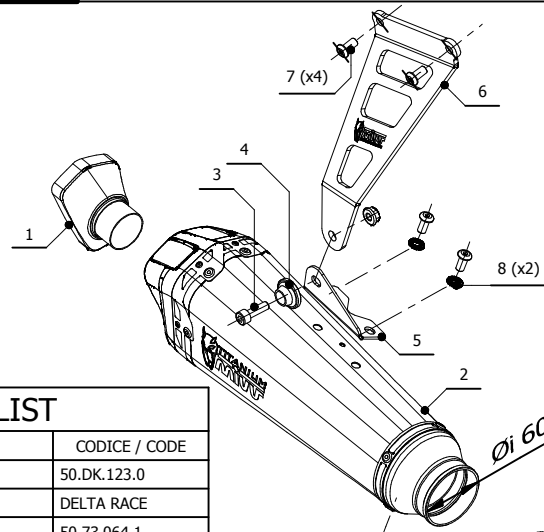
MODEL KAWASAKI ZX-10R

YEAR 2016 -->

LINE FULL SYSTEM

MUFFLER DELTA RACE

SCHEMATIC



ELENCO PARTI / PARTS LIST

#	QTÀ / QTY	DESCRIZIONE / DESCRIPTION	CODICE / CODE
1	1	DB killer / DB killer	50.DK.123.0
2	1	Silenziatore / Muffler	DELTA RACE
3	1	Vite M8x25 / Screw M8x25	50.73.064.1
4	2	Rondella in alluminio nera / Black aluminium washer	50.73.221.1
5	1	Staffa / Bracket	50.SS.1029.0
6	1	Staffa / Bracket	50.SS.1021.0
7	4	Vite M8 x 16 / Screw M8 x 16	50.73.098.1
8	2	Rondella di sicurezza / Safety washer	50.73.604.1
9	1	Vite M8x60 / Screw M8x60	50.73.078.1
10	1	Riduttore sonda lambda / Lambda probe reduction	50.73.340.1
11	10	Dado M8 flangiato / Flanged nut M8	50.73.393.1
12	4	Flangia in alluminio / Aluminium flange	50.73.339.1
13	4	Boccola / Bush	50.73.809.1
14	15	Tubo in gomma per molla / Rubber pipe for spring	50.73.210.1
15	15	Molla media / Middle spring	50.73.359.1
16	1	Collettore #1 / Header pipe #1	97R-97XKA0006A
17	1	Collettore #2 / Header pipe #2	97R-97XKA0006B
18	1	Collettore #3 / Header pipe #3	97R-97XKA0006C
19	1	Collettore #4 / Header pipe #4	997R-97XKA0006D
20	1	Tubo di raccordo 2-1 / Link pipe 2-1	97R-97XKA0005E
21	1	Tubo di raccordo 2-1 / Link pipe 2-1	97R-97XKA0005F
22	1	Tubo di raccordo / Link pipe	97R-97XKA0006G
23	1	Fascetta passacavi / fairlead clamp	50.SS.139.0
24	2	Molla / Spring	50.73.142.1
25	3	Grani M3 / Grub screws M3	50.73.140.1
26	1	Morsetti in alluminio / Aluminium clamps	50.73.138.1
27	1	Morsetti in alluminio / Aluminium clamps	50.73.139.1

APPLICAZIONI / APPLICATIONS

CODICE / CODE	SILENZIATORE / MUFFLER	TUBO / PIPE
00.X.KA.0006.SDRX	INOX (coppa carbonio) / ST. STEEL (carbon cap)	INOX / ST.STEEL
00.R.KA.0006.SDRT	TITANIO (coppa carbonio) / TITANIUM (carbon cap)	TITANIO / TITANIUM

